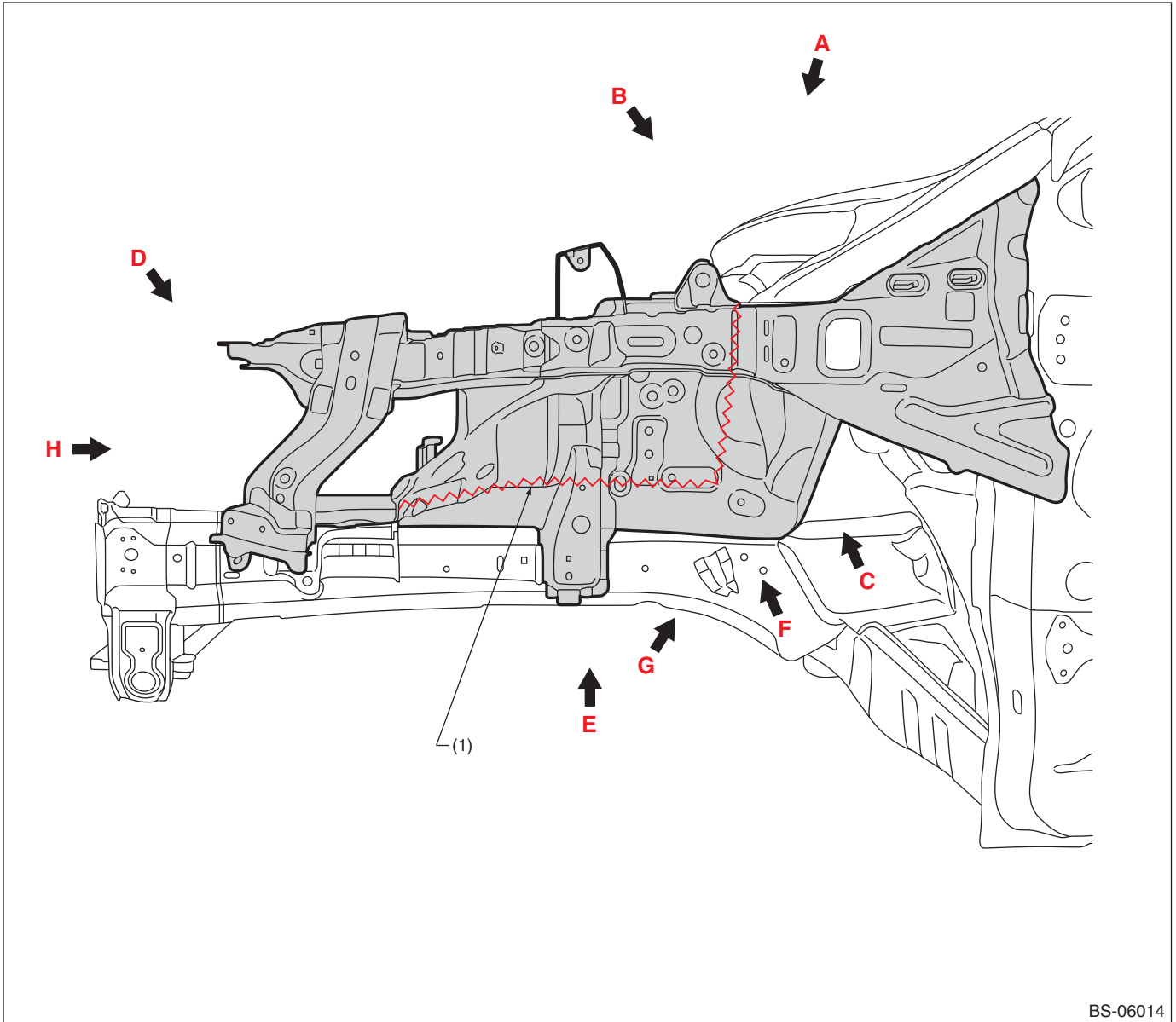


Panel Replacement

7-2. Front Wheel Apron (total replacement)

A: REMOVAL

- Overall view (Radiator panel removal condition)

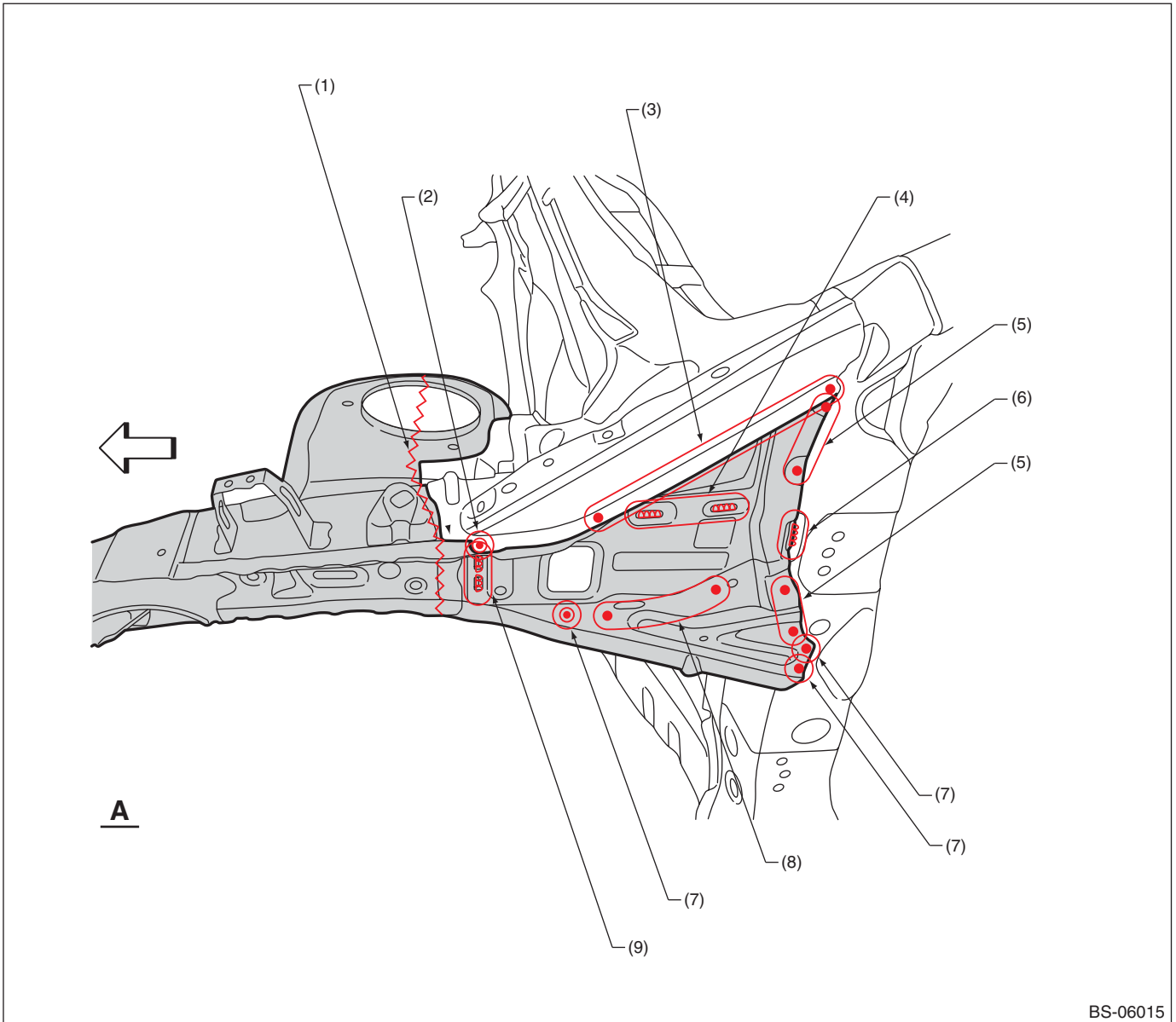


BS-06014

(1) Rough cutting

Panel Replacement

• Views 1

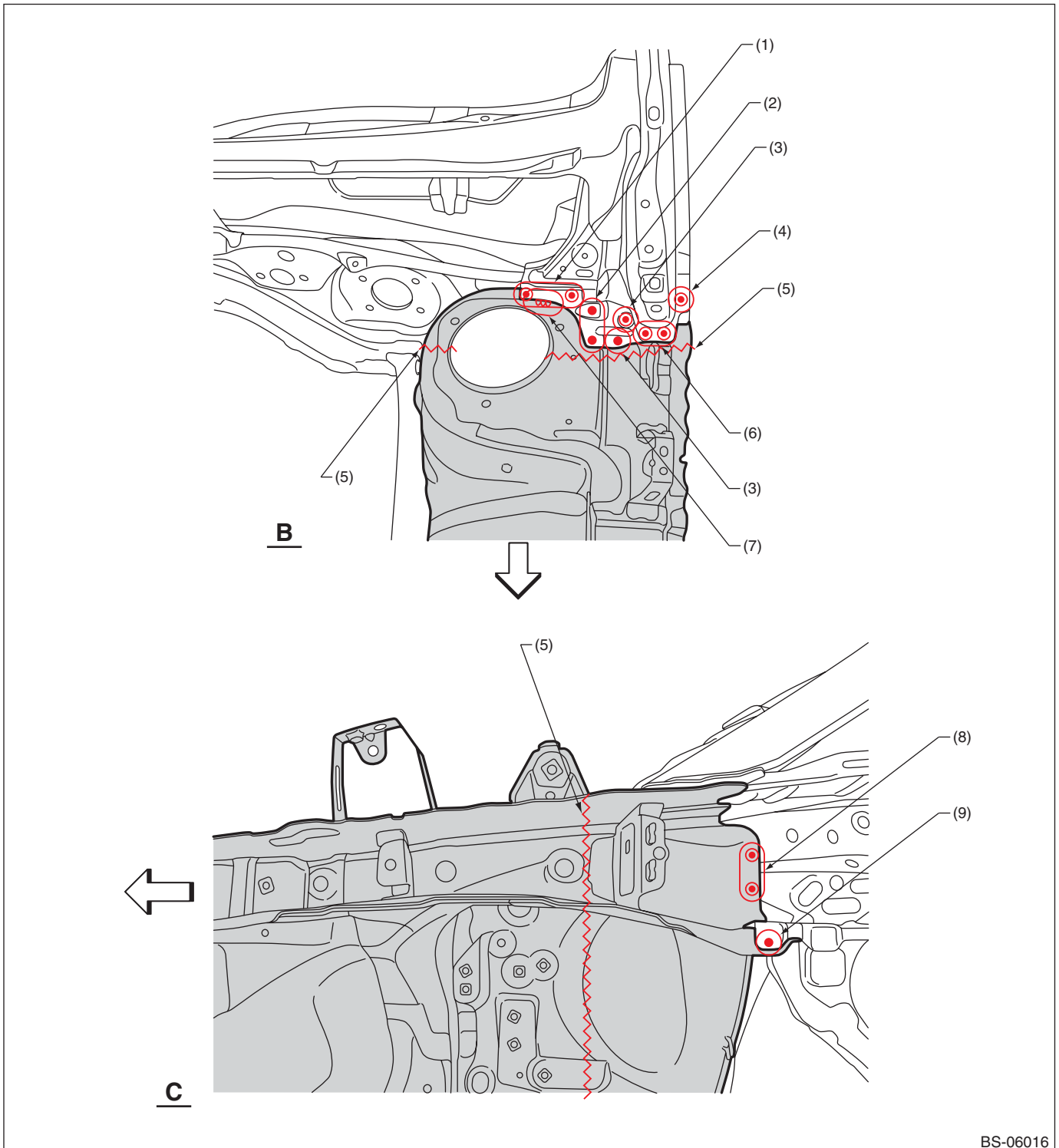


BS-06015

- | | | |
|---|--|---|
| (1) Rough cutting | (5) 2 points (outside · 1) | (9) 2 points (outside · 1, belt sander) |
| (2) 1 point (top · 2) | (6) 1 point (outside · 1, belt sander) | |
| (3) 7 points (bottom · 1, belt sander) | (7) 1 point (outside · 1) | |
| (4) 2 points (outside · 2, belt sander) | (8) 3 points (outside · 1) | |

Panel Replacement

• Views 2



BS-06016

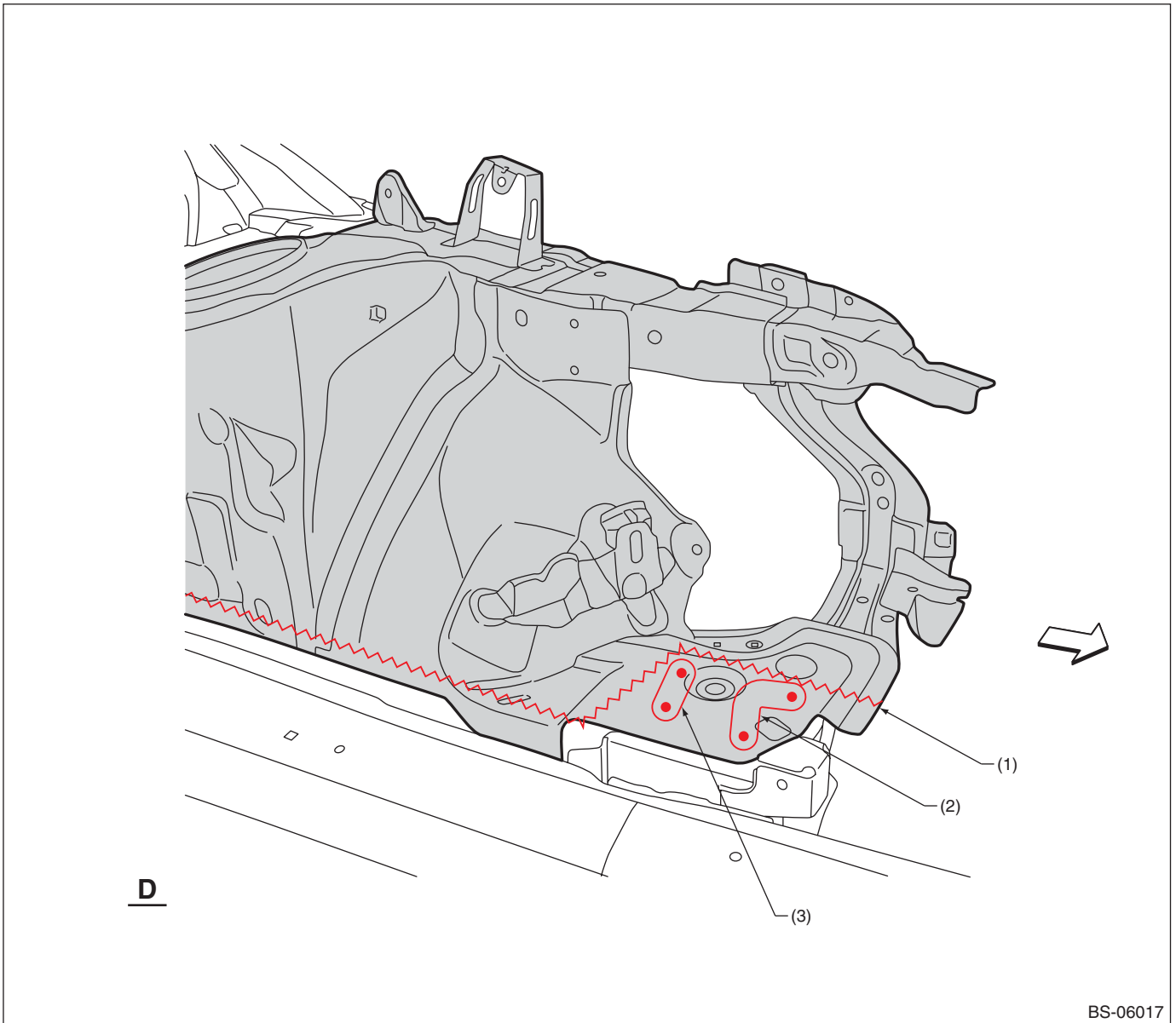
- (1) 2 points (top · 1) (only LH)
3 points (top · 1) (only RH)
- (2) 3 points (top · 1)
- (3) 1 point (top · 1)
- (4) 1 point (top · 2)

- (5) Rough cutting
- (6) 2 points (top · 2)
- (7) 1 point (top · 1, belt sander)
(only LH)
- (8) 2 points (outside · 2)

- (9) 1 point (outside · 1)

Panel Replacement

• Views 3



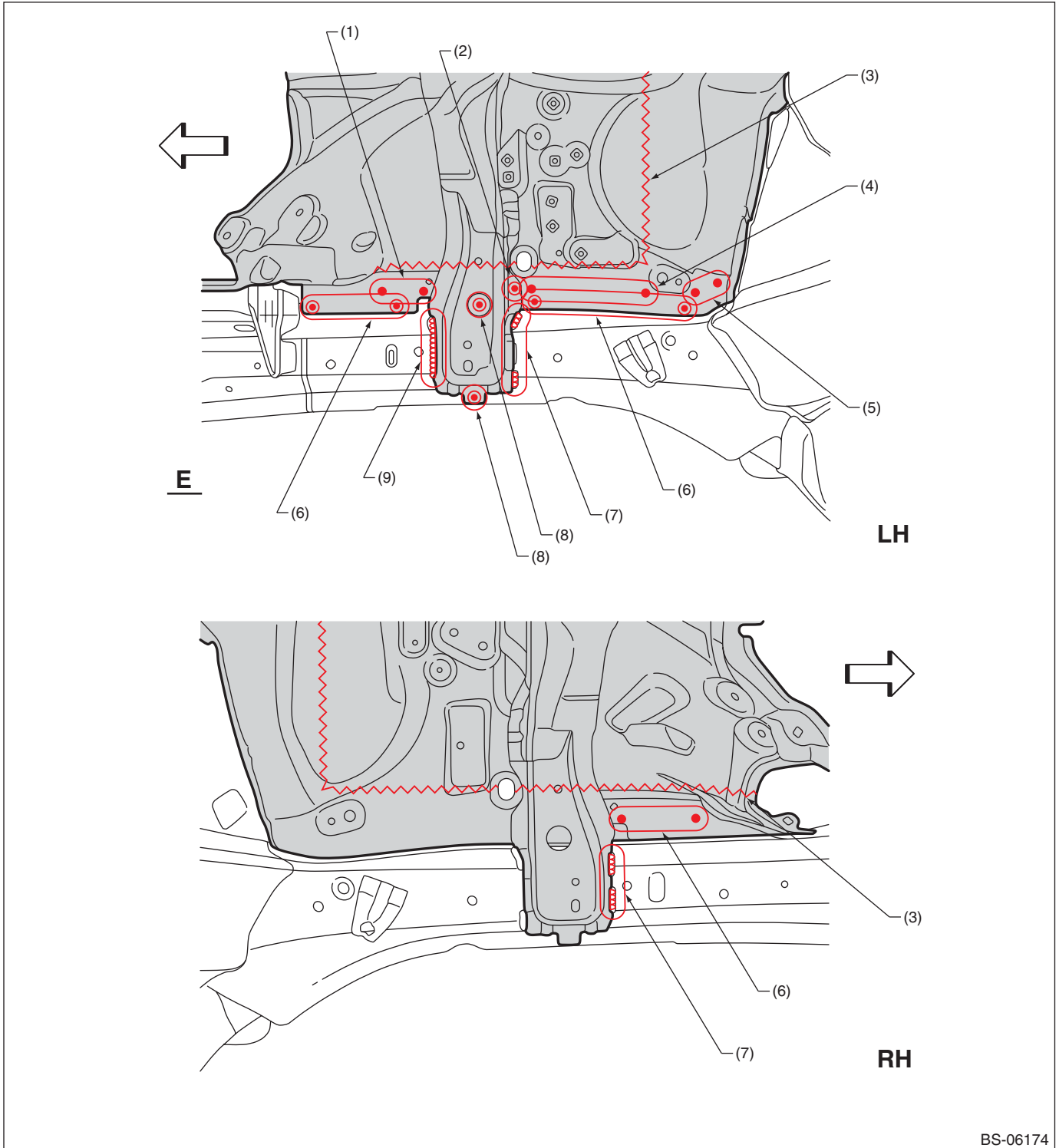
(1) Rough cutting

(2) 3 points (top · 1)

(3) 2 points (top · 1)

Panel Replacement

• Views 4



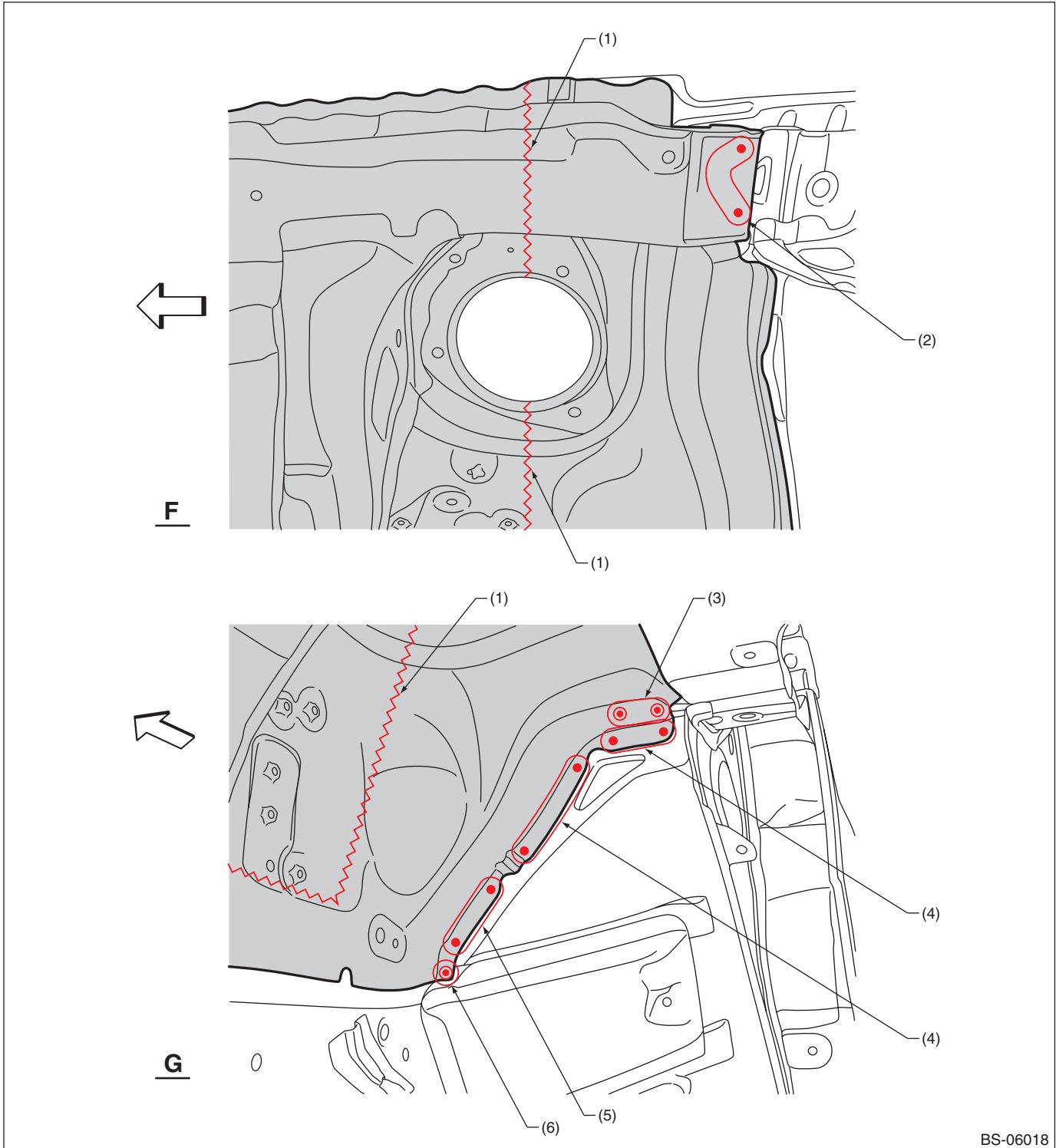
BS-06174

- | | | |
|----------------------------|----------------------------|---|
| (1) 3 points (outside · 1) | (4) 6 points (outside · 1) | (7) 2 points (outside · 1, belt sander) |
| (2) 1 point (outside · 2) | (5) 2 points (outside · 1) | (8) 1 point (outside · 1) |
| (3) Rough cutting | (6) 4 points (outside · 1) | (9) 1 point (outside · 1, belt sander) |

Note: Designations in the RH diagram are the same as in the LH diagram, except for the indicated points.

Panel Replacement

• Views 5



BS-06018

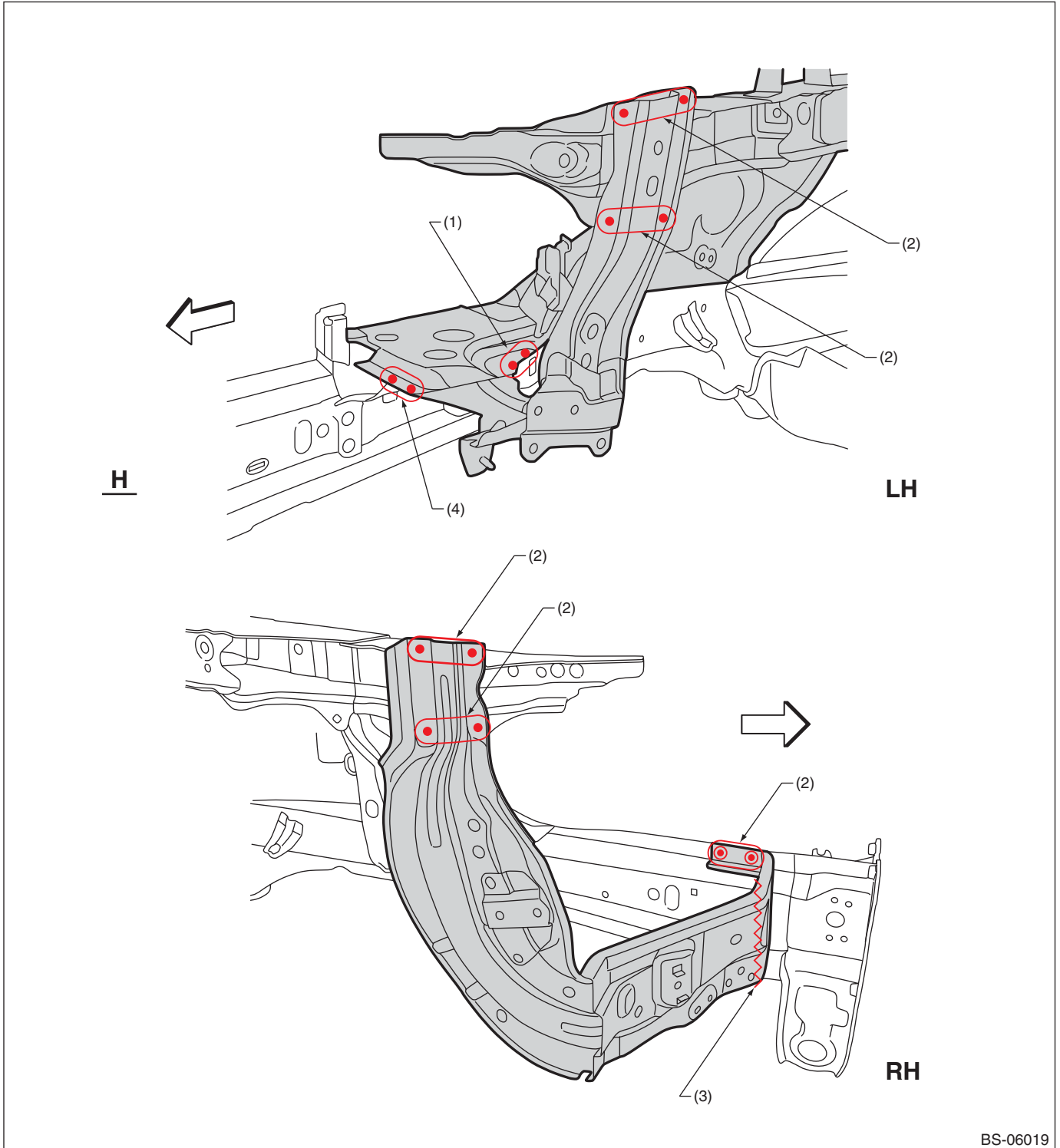
(1) Rough cutting
 (2) 4 points (bottom · 1)

(3) 2 points (bottom · 1)
 (4) 3 points (outside · 1)

(5) 2 points (outside · 1)
 (6) 1 point (outside · 1)

Panel Replacement

• Views 6



(1) 2 points (bottom · 1)

(2) 2 points (outside · 1)

(3) Rough cutting

(4) 3 points (bottom · 1)